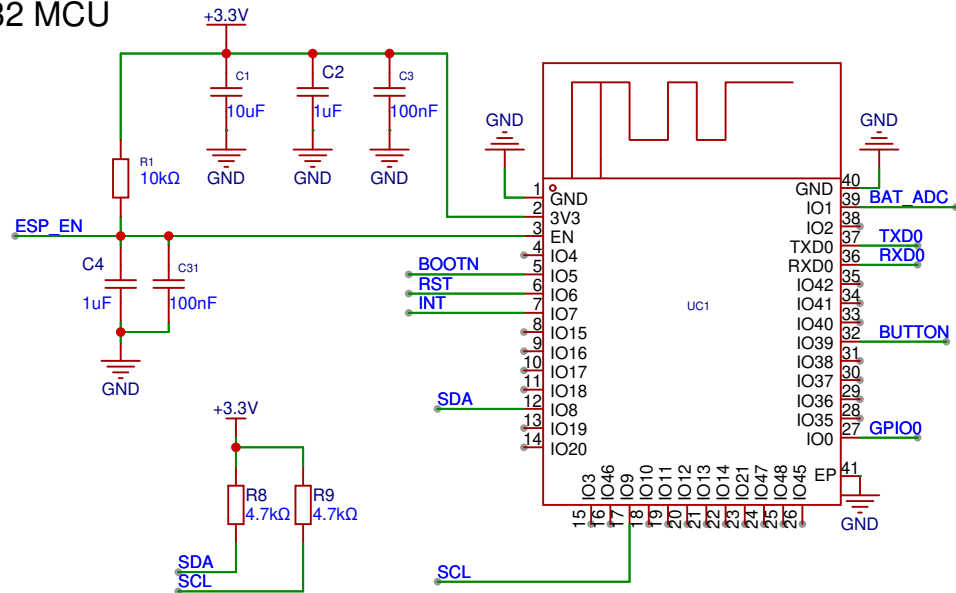
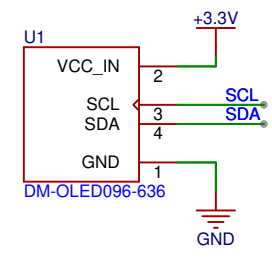


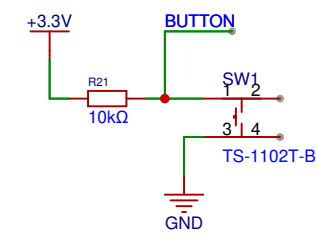
ESP32 MCU



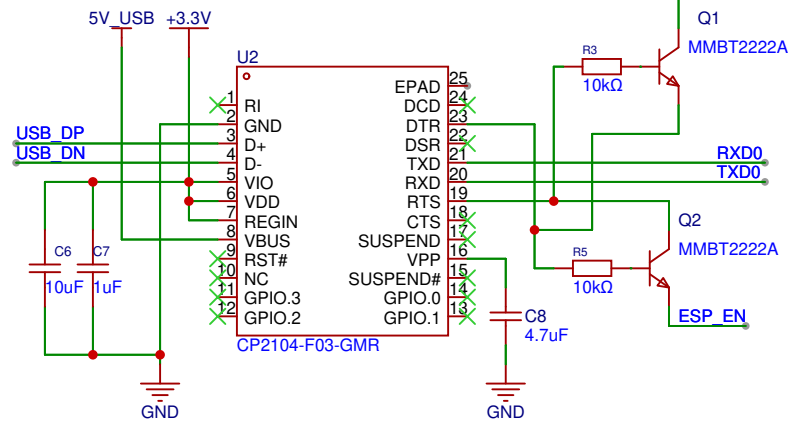
OLED DISPLAY



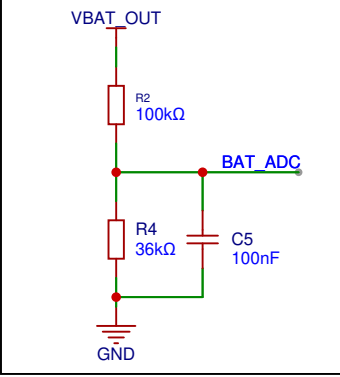
PUSH BUTTON



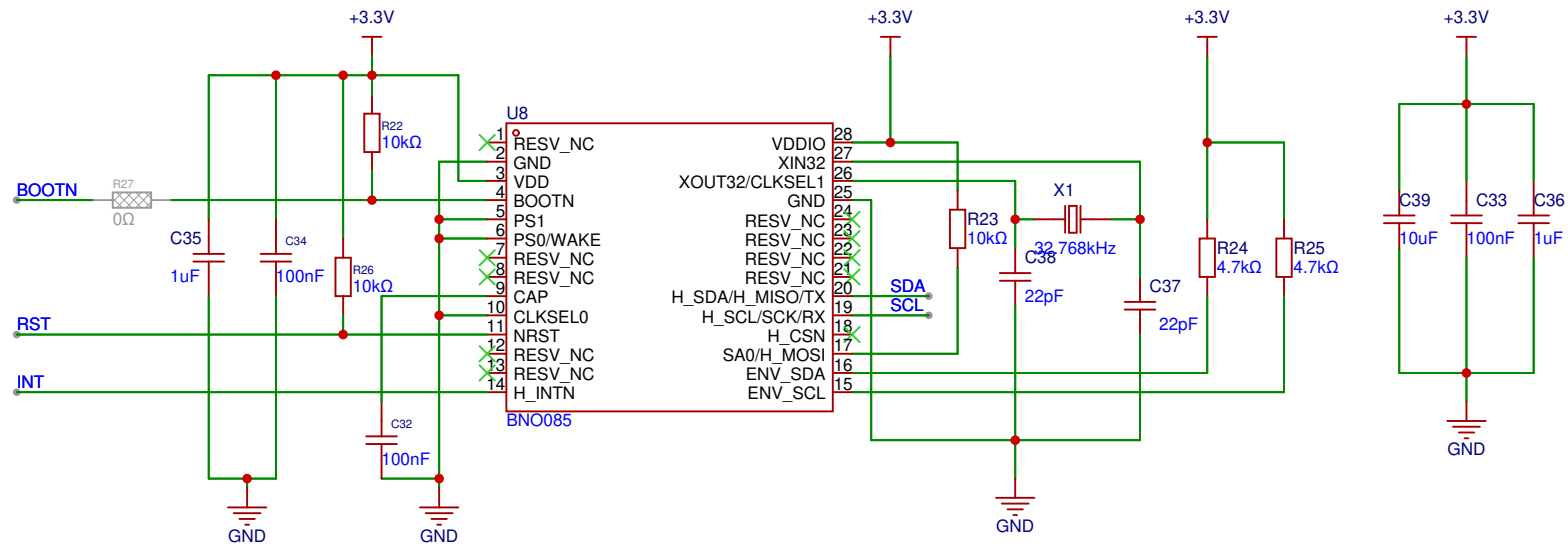
CP2104 USB-TO-UART



BATTERY SENSING



Schematic	Schematic_V2.0		Create at	2026-01-27
Board	Pitch_Yaw		Update at	2026-02-22
Drawn			Page	ESP32 MCU
Reviewed			BNO085 Pitch Roll Yaw	
	Version	Size	Page 2 Total 3	
		V1.0	A4	EasyEDA.com



Schematic	Schematic_V2.0		Create at	2026-01-27
Board	Pitch_Yaw		Update at	2026-02-22
Drawn			Page	Sensors
Reviewed			BNO085 Pitch Roll Yaw	
	Version	Size	Page 3 Total 3	
		V1.0	A4	EasyEDA.com