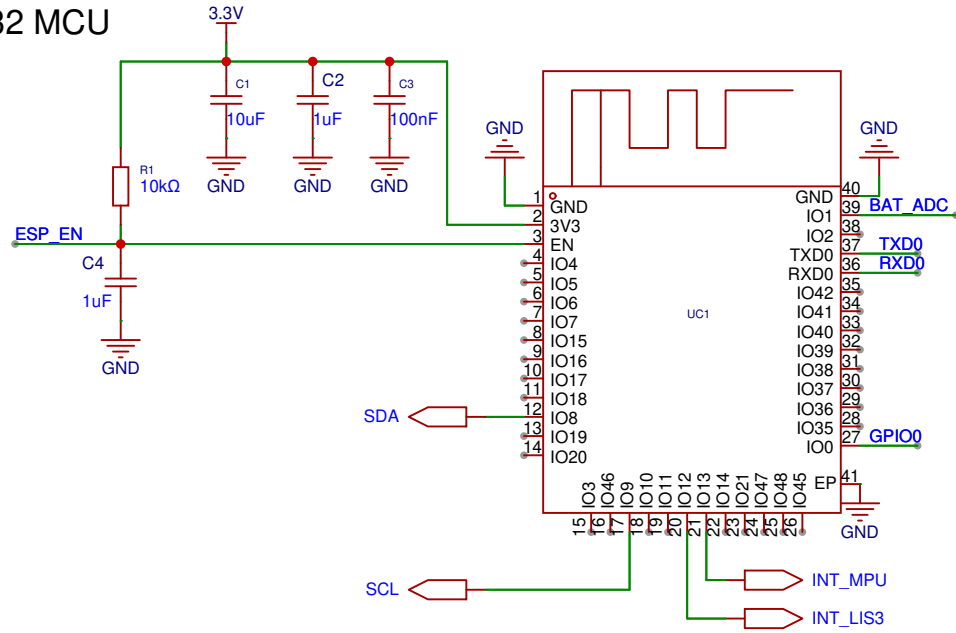
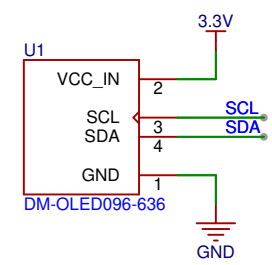


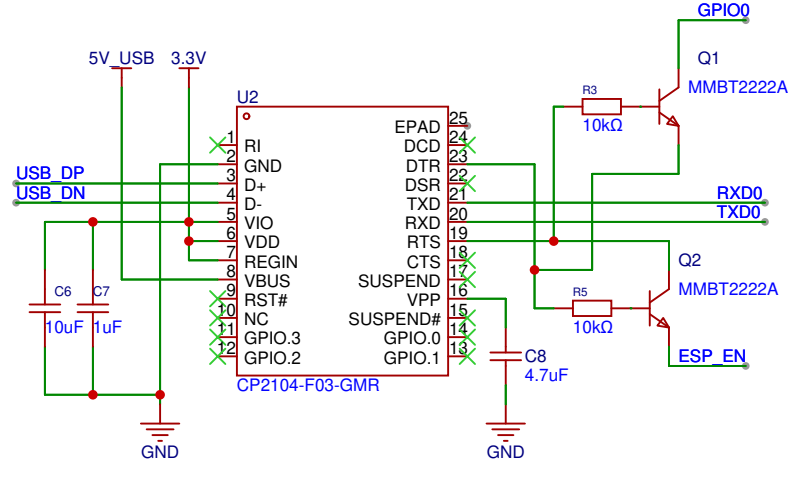
ESP32 MCU



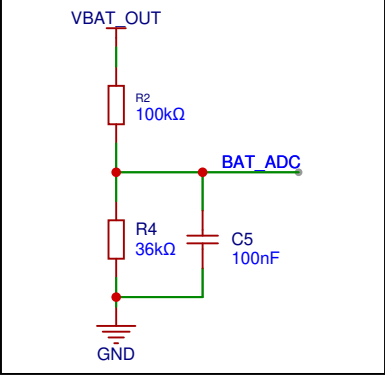
0.96" OLED Display



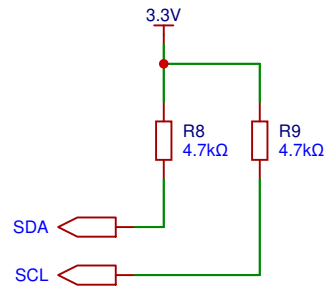
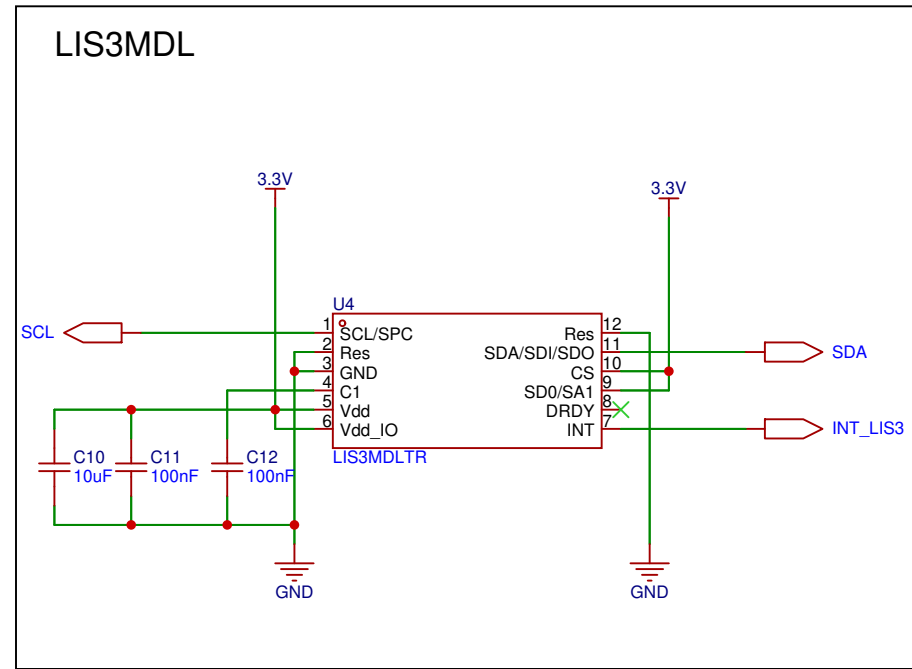
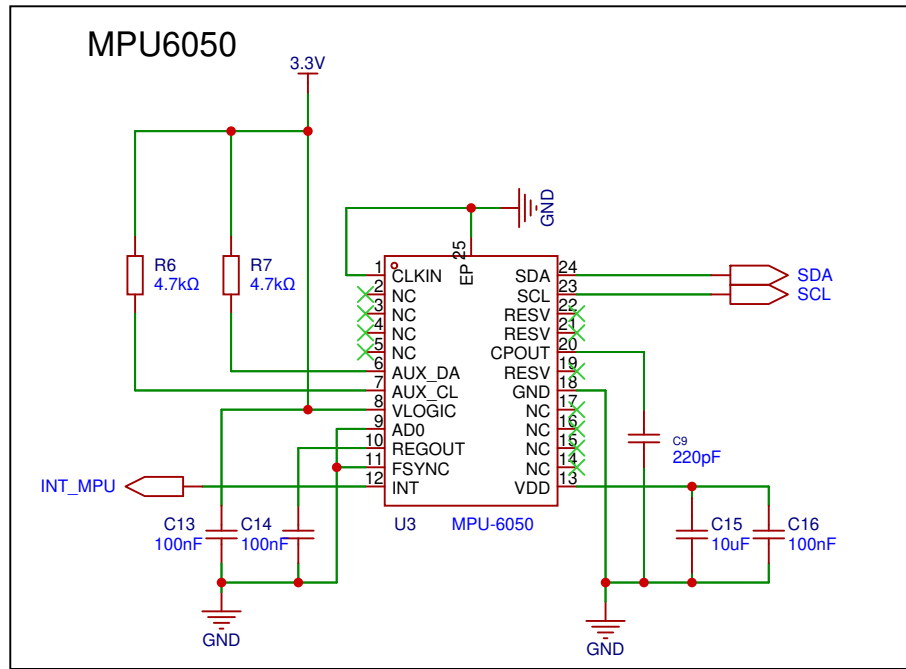
CP2104 USB-TO-UART



BATTERY SENSING



Schematic	Schematic_V2.0_1		Create at	2026-03-09
Board	Pitch_Yaw_Modified		Update at	2026-03-08
Drawn			Page	ESP32 MCU
Reviewed			Pitch Roll Yaw	
	Version	Size	Page 2 Total 3	
		V1.0	A4	EasyEDA.com



Schematic	Schematic_V2.0_1		Create at	2026-03-09
Board	Pitch_Yaw_Modified		Update at	2026-03-08
Drawn		Pitch Roll Yaw		
Reviewed				
		Version	Size	Page 3 Total 3
		V1.0	A4	EasyEDA.com